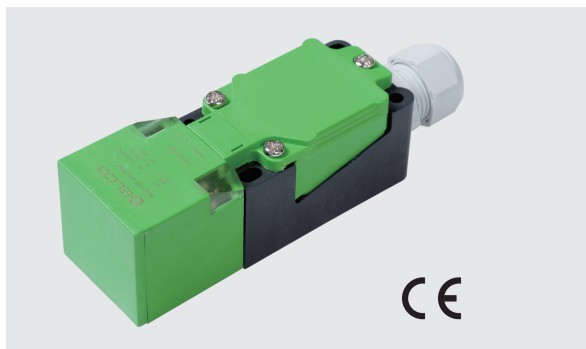


<< Inductive Sensor

Temperature Extension-Low Temperature-WL40



Description:

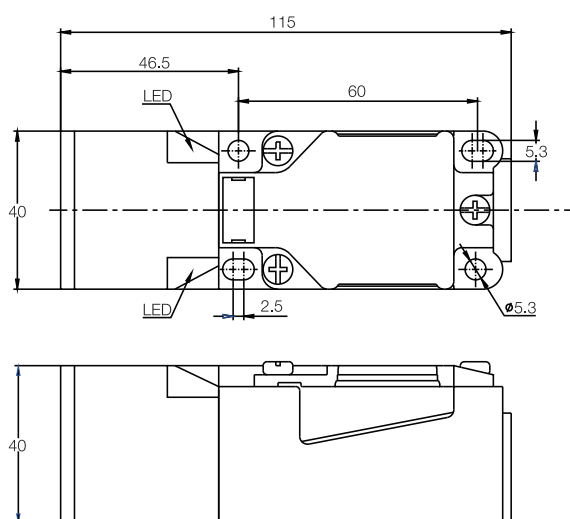
Plastic housing, rectangular 40x40x118mm, variable orientation of active face, DC 2-wire output, temperature range down to -40°C, IP67 protection class, power and action LED indicator.

Technical Data:

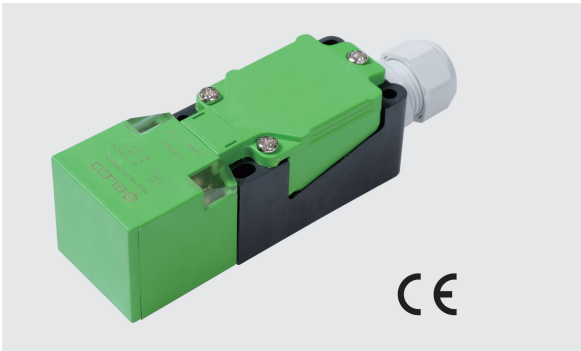
Type	Rated Operating Distance S_n	Mounting	Output	Voltage Range U_B	Rated Current	Switching Frequency	Ambient Temperature	Connection	Fig
Fi15-WL40-OD6L-Q/TB40	15mm	Flush	DC NO	10...30VDC	≤100mA	150Hz	-40...70°C	Terminal	Fig.1
Ni20-WL40-OD6L-Q/TB40	20mm	Non-flush	DC NO	10...30VDC	≤100mA	150Hz	-40...70°C	Terminal	Fig.1
Fi15-WL40-CD6L-Q/TB40	15mm	Flush	DC NC	10...30VDC	≤100mA	150Hz	-40...70°C	Terminal	Fig.1
Ni20-WL40-CD6L-Q/TB40	20mm	Non-flush	DC NC	10...30VDC	≤100mA	150Hz	-40...70°C	Terminal	Fig.1
Fi15-WL40-OD9L-Q/TB40	15mm	Flush	DC NO	10...60VDC	≤100mA	150Hz	-40...70°C	Terminal	Fig.1
Ni20-WL40-OD9L-Q/TB40	20mm	Non-flush	DC NO	10...60VDC	≤100mA	150Hz	-40...70°C	Terminal	Fig.1
Fi15-WL40-CD9L-Q/TB40	15mm	Flush	DC NC	10...60VDC	≤100mA	150Hz	-40...70°C	Terminal	Fig.1
Ni20-WL40-CD9L-Q/TB40	20mm	Non-flush	DC NC	10...60VDC	≤100mA	150Hz	-40...70°C	Terminal	Fig.1

Dimensions:

Fig.1



Temperature Extension-Low Temperature-WL40



Description:

Plastic housing, rectangular 40x40x118mmmm, variable orientation of active face, DC 3/4-wire output, temperature range down to -40°C, IP67 protection class, power and action LED indicator.

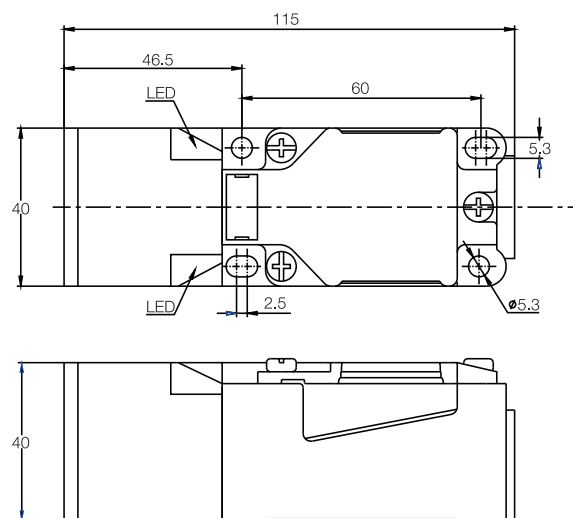
Inductive Sensors

Technical Data:

Type	Rated Operating Distance S_n	Mounting	Output	Voltage Range U_B	Rated Current	Switching Frequency	Ambient Temperature	Connection	Fig
Fi15-WL40-ON6L-Q/TB40	15mm	Flush	NPN NO	10...30VDC	≤200mA	150Hz	-40...70°C	Terminal	Fig.1
Fi15-WL40-CN6L-Q/TB40	15mm	Flush	NPN NC	10...30VDC	≤200mA	150Hz	-40...70°C	Terminal	Fig.1
Fi15-WL40-BN6L-Q/TB40	15mm	Flush	NPN NO+NC	10...30VDC	≤200mA	150Hz	-40...70°C	Terminal	Fig.1
Fi15-WL40-OP6L-Q/TB40	15mm	Flush	PNP NO	10...30VDC	≤200mA	150Hz	-40...70°C	Terminal	Fig.1
Fi15-WL40-CP6L-Q/TB40	15mm	Flush	PNP NC	10...30VDC	≤200mA	150Hz	-40...70°C	Terminal	Fig.1
Fi15-WL40-BP6L-Q/TB40	15mm	Flush	PNP NO+NC	10...30VDC	≤200mA	150Hz	-40...70°C	Terminal	Fig.1
Ni20-WL40-ON6L-Q/TB40	20mm	Non-flush	NPN NO	10...30VDC	≤200mA	150Hz	-40...70°C	Terminal	Fig.1
Ni20-WL40-CN6L-Q/TB40	20mm	Non-flush	NPN NC	10...30VDC	≤200mA	150Hz	-40...70°C	Terminal	Fig.1
Ni20-WL40-BN6L-Q/TB40	20mm	Non-flush	NPN NO+NC	10...30VDC	≤200mA	150Hz	-40...70°C	Terminal	Fig.1
Ni20-WL40-OP6L-Q/TB40	20mm	Non-flush	PNP NO	10...30VDC	≤200mA	150Hz	-40...70°C	Terminal	Fig.1
Ni20-WL40-CP6L-Q/TB40	20mm	Non-flush	PNP NC	10...30VDC	≤200mA	150Hz	-40...70°C	Terminal	Fig.1
Ni20-WL40-BP6L-Q/TB40	20mm	Non-flush	PNP NO+NC	10...30VDC	≤200mA	150Hz	-40...70°C	Terminal	Fig.1

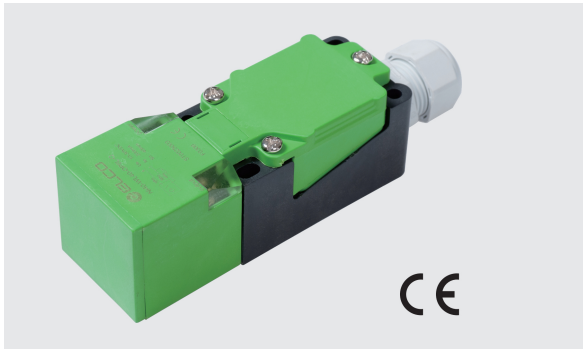
Dimensions:

Fig.1



<< Inductive Sensor

Temperature Extension-Low Temperature-WL40



Description:

Plastic housing, rectangular 40x40x118mm, variable orientation of active face, AC/DC 2-wire output, temperature range down to -40°C, IP67 protection class, power and action LED indicator.

Technical Data:

Type	Rated Operating Distance S _n	Mounting	Output	Voltage Range U _B	Rated Current	Switching Frequency	Ambient Temperature	Connection	Fig
F15-WL40-OA41L-Q/TB40	15mm	Flush	DC/AC NO	20...250VAC/DC	DC≤100mA/AC≤200mA	20Hz	-40...70°C	Terminal	Fig.1
N120-WL40-OA41L-Q/TB40	20mm	Non-flush	DC/AC NC	20...250VAC/DC	DC≤100mA/AC≤200mA	20Hz	-40...70°C	Terminal	Fig.1
F15-WL40-VA41L-Q/TB40	15mm	Flush	DC/AC NO/NC	20...250VAC/DC	DC≤100mA/AC≤200mA	20Hz	-40...70°C	Terminal	Fig.1
N120-WL40-VA41L-Q/TB40	20mm	Non-flush	DC/AC NO/NC	20...250VAC/DC	DC≤100mA/AC≤200mA	20Hz	-40...70°C	Terminal	Fig.1

Dimensions:

Fig.1

