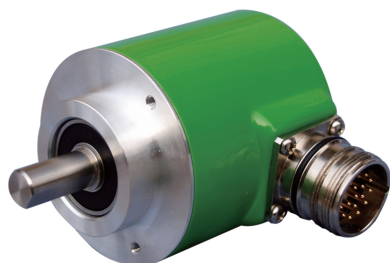


4...20mA Analog Output Absolute Singleturn Encoder EAC58



Description:

The 4-20mA Analog output absolute singleturn encoder EAC58 series features a compact structure with strong performance in withstanding mechanical damages and higher axial and radial loads. EACA58 series is equipped with the RESET function, and has the resolution up to 8192. 4-20mA output is compatible with special PC controllers.

Features:

- Waterproof seal provides greater IP level
- Pre-screwed holes for convenience purpose
- Durable stainless steel shaft
- Metal housing for better shock resistance
- Protection class IP65
- Starting and finishing points calibration function equipped

Mechanical Characteristics

Shaft diameter (mm)	Φ6g6/Φ10h8
Protection acc. to EN60529	IP65
Speed (r/m)	6000
Max load capacity of the shaft	
Axial load capacity	60N
Radial load capacity	120N
Shock resistance	50G/11ms
Vibration resistance	10G 10~2000Hz
Bearing life	10 ⁹ revolution
Rotor moment of inertia	1.8×10 ⁻⁶ kgm ²
Starting torque	<0.01Nm
Body material	AL-alloy
Housing material	AL-alloy
Operating temperature	-20°C~+80°C
Storage temperature	-25°C~+85°C
Weight	360g

Resolution: 8192. For other resolution requests please contact us for further information.

Electrical Characteristics

Type of Interface	4--20mA	0--10V
Supply voltage (U _b)	10--30VDC/5VDC	10--30VDC
Current consumption	70mA	70mA
Max. loading current	84mA	84mA
Word-updating frequency	Max 15.000/s	Max. 15.000/s
Current loop	10 ... 30VDC	10 ... 30VDC
Analog signal	4 ... 20mA	0 ... 10V
Max. input resistance	200Ω	200Ω
Measuring range	0 ... 360°	0 ... 360°
Max. sensitivity (25°C)	0.2°	0.2°
Resolution	13 Bit	13 Bit
Setup time	Max. 2 ms	Max. 2 ms
Temperature effect	0.1°/10K	0.1°/10K
No-load current	≤3.5 mA	≤3.5 mA

Sensor should be electrically isolated from current loop

Conforms to CE requirements of EN 61000-6-1, EN 61000-6-4 and EN 61000-6-3

Encoder

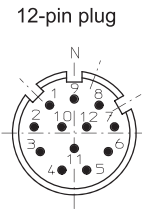
4...20mA Analog Output Absolute Singleturn Encoder EAC58

Terminal Configuration

Voltage signal	0V	+U _b	VOUT+	VOUT-	VIN+	VIN-	STZ	VR	STT	----	----	----	⊥
Current Signal	0V	+U _b	----	----	+I	-I	STZ	VR	STT	----	----	----	⊥
Color	WH	BN	GN	YE	GY	PK	BU	RD	BK	VT	GY/PK	RD/BU	
Gray	1	2	3	4	5	6	7	8	9	10	11	12	PH

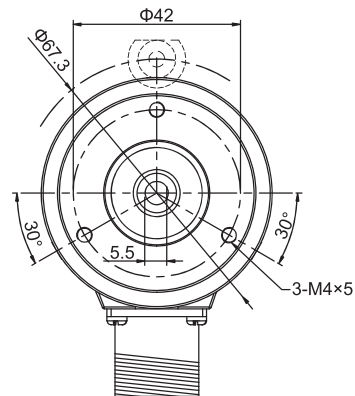
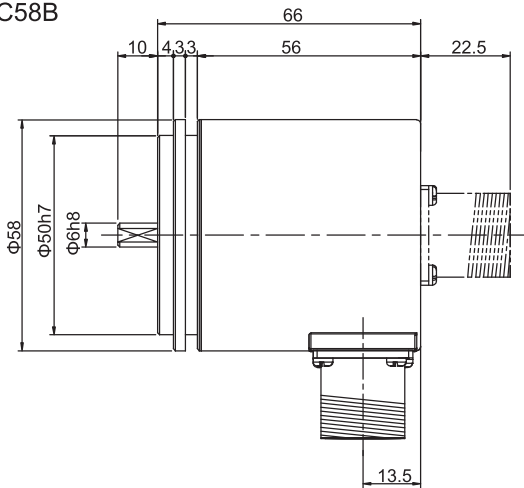
- +I: Input of current loop 0V/+U_b and VIN+/VIN-: can be powered together or separately
 - I: Output of current loop VOUT+/VOUT-: voltage output VIN-/VOUT-: connected in circuit
 - STZ: SET input (signal level remains high for 2 sec), the output current is set to 4mA
 - VR: Up/down input, as the input is activated, decreasing current values are transmitted when shaft turning clockwise
 - STT input: SET input (signal level remains high for 2 sec), the output current is set to 20mA
 - PH: Plug housing
- Attention: 1, Before initial start-up, unused outputs must be insulated.
 2, Shaft remains static, and at the same time set STZ & STT signal at high level; singleturn resumes to 4-20mA, and the present position output is at 4mA.

Top view of the connecting end on needle connector block

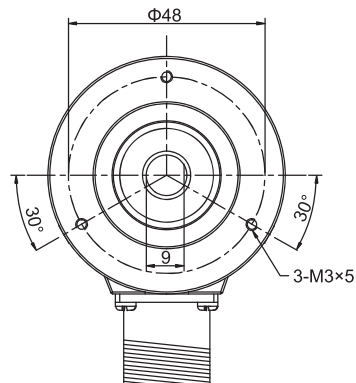
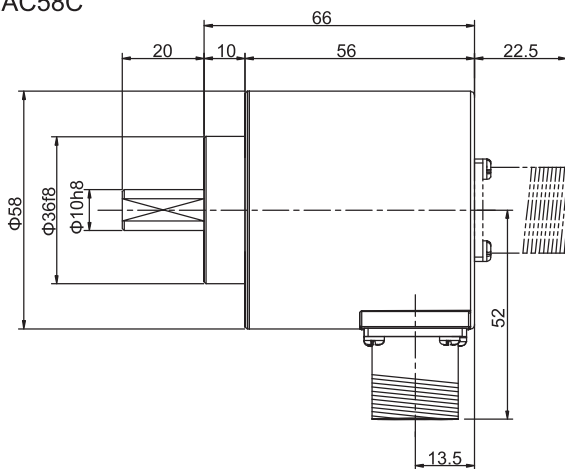


Dimensions

EAC58B



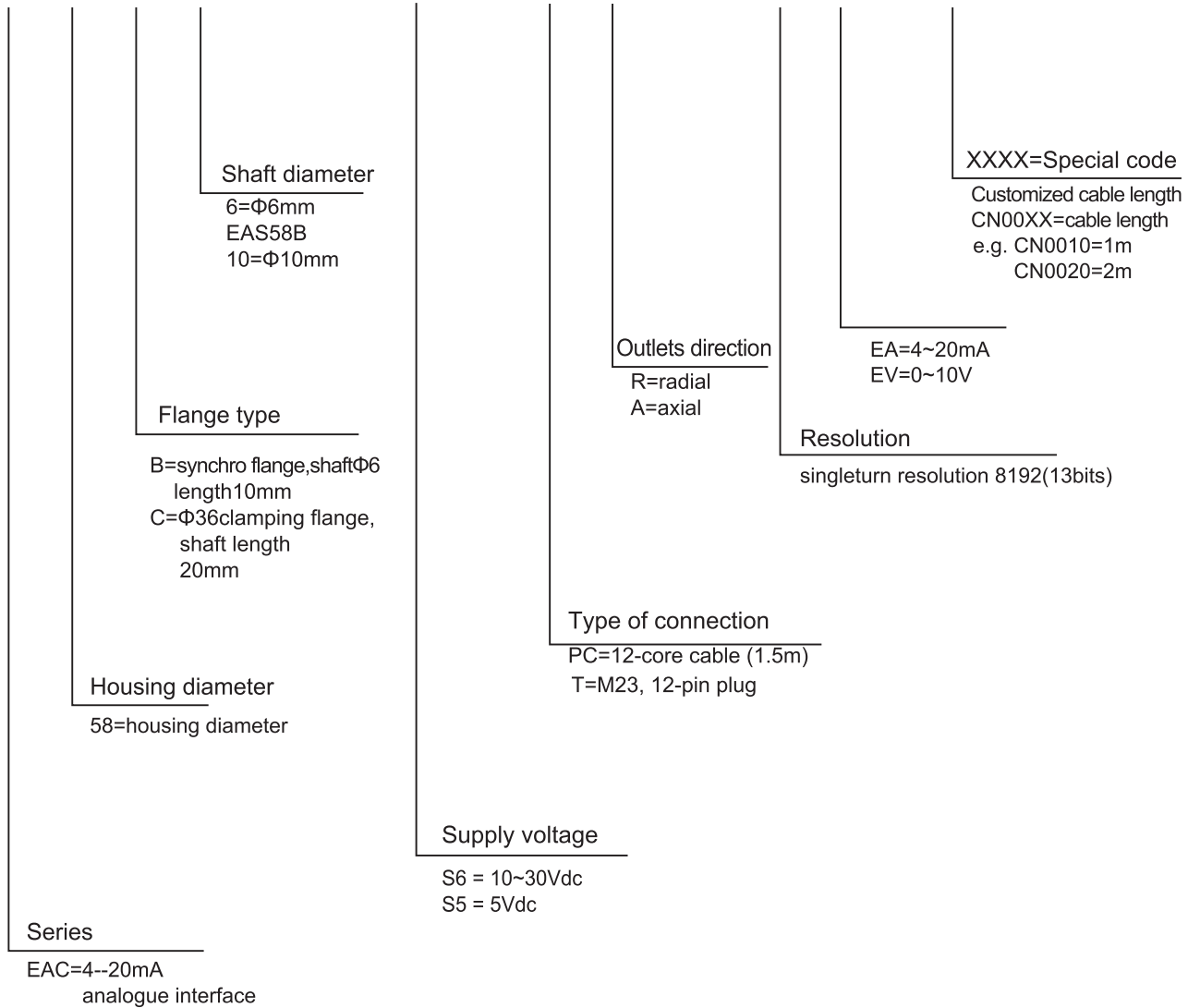
EAC58C



4...20mA Analog Output Absolute Singleturn Encoder EAC58

Order Code

EAC 58 C 10 - G S6 X PC R - 8192 EA . XXXX



Encoder