

Flange socket connector - M8 male (M)

Description:

Used for fixed I/O connecting such as panel and cabinet. Standard M8(male) threaded connection. 3, 4-core are optional.

Features:

- Optional front/rear panel installation
- Customized cable lengths



Technical Data

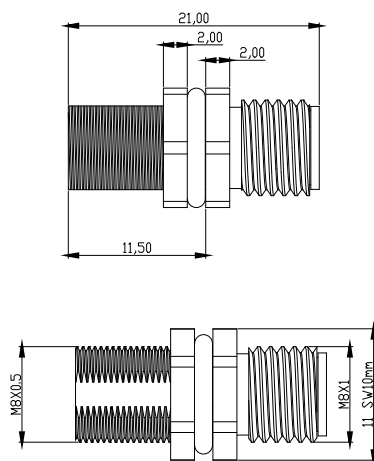
Cable jacket	Description	Type	Pin	Rated current/voltage	Dia. of cable
Brass zinc nickel plating	Male 3-core rear panel installation	F8.3-0/M8	3	3A/30V	0.25mm ²
	Male 3-core front panel installation	F8.3-0/M8/F	3	3A/30V	0.25mm ²
	Male 4-core rear panel installation	F8.4-0/M8	4	3A/30V	0.25mm ²
	Male 4-core front panel installation	F8.4-0/M8/F	4	3A/30V	0.25mm ²

Order Code

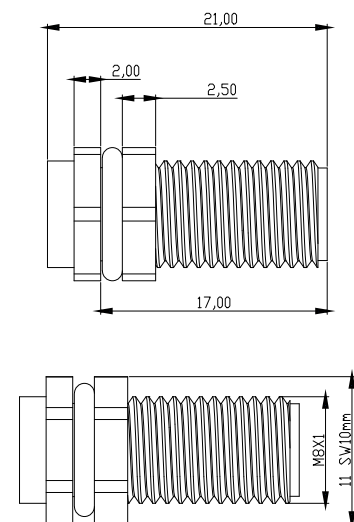
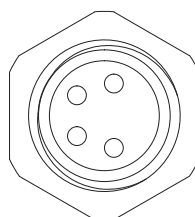
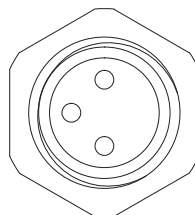
F8.3-0/M8

Attn: Standard

Dimensions



Front panel installation



Rear panel installation