

Distribution Box-Plastic(ESP4 Series M12 Socket-Terminal Field Connection)

Description:

Plastic housing, distributed design, 4-way, single/double signal, indicator lamp, protection class IP67

Features

- LED indicator, optional output (PNP/NPN)
- Single/double signal
- Terminal connection mode to meet the flexible configuration of different cable length on field
- Partition power supply can be realized by bridge mode is optional (1, 3 way and 2, 4 way power supply respectively) .

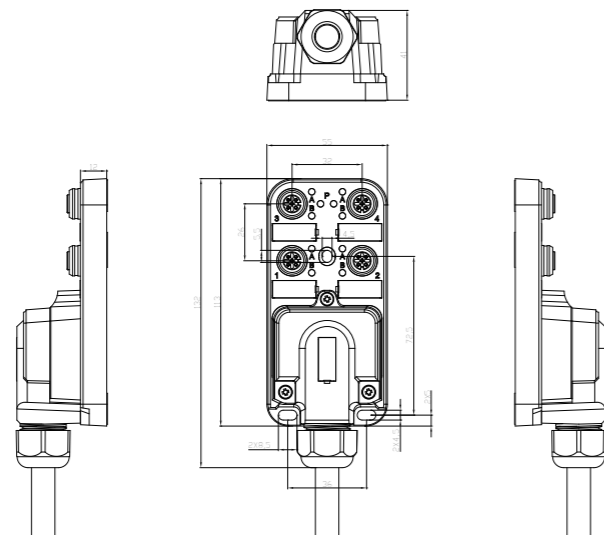


Type List	ESP4-12-2P-Q	ESP4-12-2N-Q	ESP4-12-3P-Q	ESP4-12-3N-Q	ESP4-12-4P-Q	ESP4-12-4N-Q
Technical Data						
Output Function	1 signal		2 signals			
Output Type	PNP	NPN	PNP	NPN	PNP	NPN
Connection for Sensors/Actuators	4-pin M12 female		5-pin M12 female			
Locking Sockets	Threaded M12x1					
Dimensions	Fig. 1, Fig. 2, Fig. 5		Fig. 1, Fig. 2, Fig. 6		Fig. 1, Fig. 2, Fig. 7	
Pin Assignment	Fig. 3		Fig. 4			
Wiring Diagram	Fig. 8	Fig. 9	Fig. 8	Fig. 9	Fig. 8	Fig. 9
Supply Voltage	24VDC					
Supply Voltage Indicator	LED green					
I/O Channels	4					
Signals per Port	1 or 2					
Status Indicators	LED yellow					
	Each signal					
Current Parameter	Max. 2A / per contact. 4A/per channel					
Spring terminal box	Max. 8A					
	19 pins (dual output)					
Housing Material	Plastic					
Protection Class	IP67					
Temperature Range	-40...+80°C					
Resistance	Good resistance against chemicals and oils. The resistance to aggressive media should be individually verified for your application.					

Dimensions

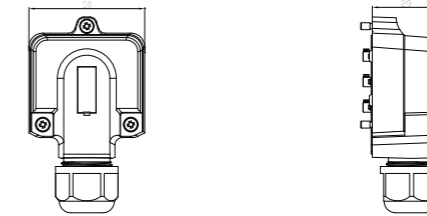
Distribution Box Dimensions

Fig. 1



Distribution Box Dimensions

Fig. 2



Pin Assignment

Fig. 3

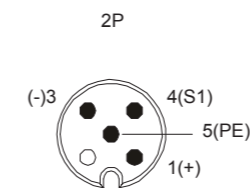


Fig. 4

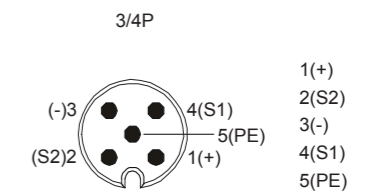


Fig. 5
2P

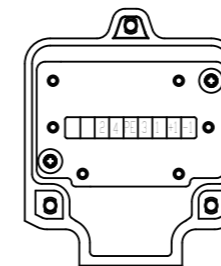


Fig. 6
3P

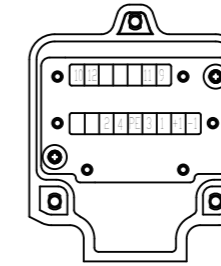
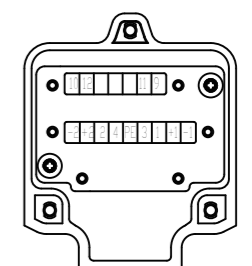
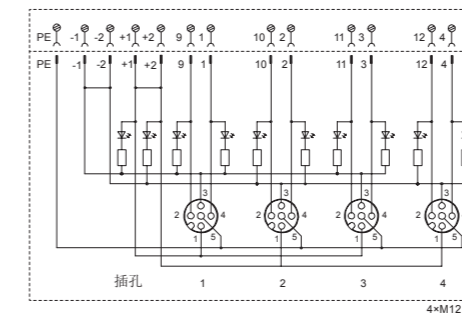


Fig. 7
4P



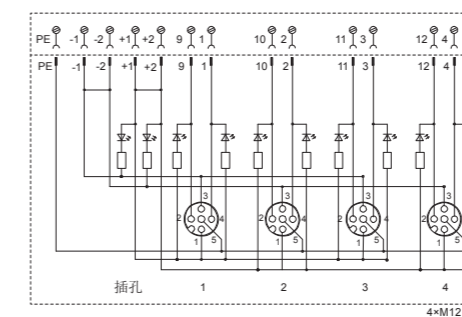
Wiring Diagram

Fig. 8
Connector



Note: Circuit diagram is 4P model, 2P、3P model is single power supply, LED indicator PNP, 2P series only connects the 4th pin.

Fig. 9
Cable



Note: Circuit diagram is 4N model, 2N、3N model is single power supply, LED indicator NPN, 2N series only connects the 4th pin.