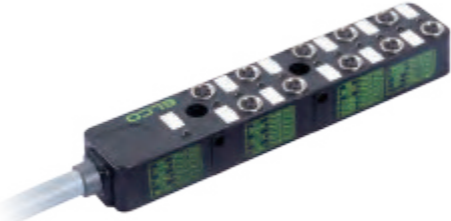


Plastic distribution box ESP10 series (M8 socket, with pre-wired cable)

Description:
Plastic housing, 10-way, pre-wired cable, single/double signal.

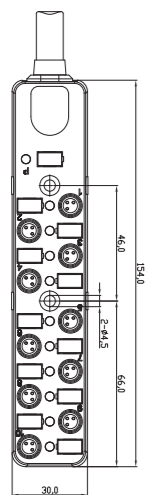
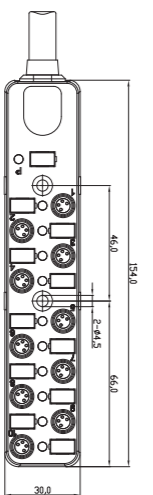
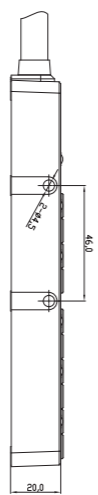
Features:

- Optional output (PNP/NPN)
- LED indicator and high protection class IP67
- Compact size - 154mm, especially suitable for small space installation
- Standard 3m PUR cable, optional cable length



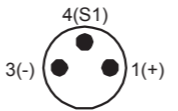
Type List	ESP10-8-2P-3 / P	ESP10-8-2N-3 / P	ESP10-8-3P-3 / P	ESP10-8-3N-3 / P
Technical Data				
Output Function	1 signal		2 signals	
Output Type	PNP	NPN	PNP	NPN
Connection for Sensors/Actuators	3-pin M8 female		4-pin M8 female	
Locking Sockets	Threaded M8x1			
Dimensions	Fig.1,3		Fig.2,3	
Pin Assignment	Fig.4		Fig.5	
Wiring Diagram	Fig.6	Fig.7	Fig.8	Fig.9
Supply Voltage	10...30VDC (24VDC)			
Supply Voltage Indicator	LED green			
I/O Channels	10			
Signals per Port	1		2	
Status Indicators	LED yellow		LED yellow / red	
Operating Current	Max. 2A			
Current Parameter	Max. 8A			
	Please do not operate cables above max. load capacity.			
Housing Material	Plastic			
	ABS			
Protection Class	IP67			
Temperature Range	-40...+80°C			
Resistance	Good resistance against chemicals and oils. The resistance to aggressive media should be individually verified for your application.			
Cable Material	Standard PUR / PP Bending ≥5 million			
Length	3m			

Dimensions

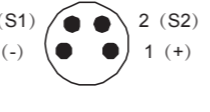
Pin Assignment

Fig. 4



3-pin PNP/NPN 1 signal

Fig. 5



4-pin PNP/NPN 2 signals

