

Compact-OSQ18



Descriptions:

Optional mounting methods: mounting hole for barrel series or screw for rectangular series, 30m sensing range for red and laser beam products.

Features:

- Compact size
- Long sensing range
- Visible red beam, laser beam



Type

Detection mode	Type	Sensing range	Light source	Frequency	Output	Output Function	Connection	Wiring
Opposed	OSQ18-S6(emitter)	— —	Infrared beam	— —	— —	— —	2m cable	Fig.1
	OSQ18-EVP6(receiver)	30m	— —	1000Hz	PNP	NO+NC	2m cable	Fig.3
	OSQ18-EVN6(receiver)	30m	— —	1000Hz	NPN	NO+NC	2m cable	Fig.4
	OSQ18-S6Q(emitter)	— —	Infrared beam	— —	— —	— —	M12 connector	Fig.2
	OSQ18-EVP6Q(receiver)	30m	— —	1000Hz	PNP	NO+NC	M12 connector	Fig.5
	OSQ18-EVN6Q(receiver)	30m	— —	1000Hz	NPN	NO+NC	M12 connector	Fig.6
	OSQ18-SL306 (emitter)	— —	Laser beam	— —	— —	— —	2m cable	Fig.1
	OSQ18-EL30VP6(receiver)	30m	— —	1000Hz	PNP	NO+NC	2m cable	Fig.3
	OSQ18-EL30VN6 (receiver)	30m	— —	1000Hz	NPN	NO+NC	2m cable	Fig.4
	OSQ18-SL306Q(emitter)	— —	Laser beam	— —	— —	— —	M12 connector	Fig.2
	OSQ18-EL30VP6Q(receiver)	30m	— —	1000Hz	PNP	NO+NC	M12 connector	Fig.5
	OSQ18-EL30VN6Q(receiver)	30m	— —	1000Hz	NPN	NO+NC	M12 connector	Fig.6

Reflector RB50*50-1

OSQ18-RVP6	4m	Red beam	1000Hz	PNP	NO+NC	2m cable	Fig.3
OSQ18-RVN6	4m	Red beam	1000Hz	NPN	NO+NC	2m cable	Fig.4
OSQ18-RVP6Q	4m	Red beam	1000Hz	PNP	NO+NC	M12 connector	Fig.5
OSQ18-RVN6Q	4m	Red beam	1000Hz	NPN	NO+NC	M12 connector	Fig.6
OSQ18-RVP6	4m	Red beam	1000Hz	PNP	NO+NC	2m cable	Fig.3
OSQ18-RPVN6	4m	Red beam	1000Hz	NPN	NO+NC	2m cable	Fig.4
OSQ18-RVP6Q	4m	Red beam	1000Hz	PNP	NO+NC	M12 connector	Fig.5
OSQ18-RPVN6Q	4m	Red beam	1000Hz	NPN	NO+NC	M12 connector	Fig.6

Photoelectric Sensors

Compact-OSQ18

Type

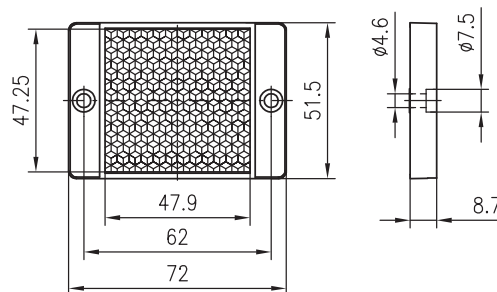
Detection mode	Type	Sensing range	Light source	Frequency	Output	Output Function	Connection	Wiring
Diffused	OSQ18-K200VP6	200mm	Red beam	1000Hz	PNP	NO+NC	2m cable	Fig.7
	OSQ18-K200VN6	200mm	Red beam	1000Hz	NPN	NO+NC	2m cable	Fig.8
	OSQ18-K200VP6Q	200mm	Red beam	1000Hz	PNP	NO+NC	M12 connector	Fig.9
	OSQ18-K200VN6Q	200mm	Red beam	1000Hz	NPN	NO+NC	M12 connector	Fig.10
	OSQ18-K400VP6	400mm	Red beam	1000Hz	PNP	NO+NC	2m cable	Fig.7
	OSQ18-K400VN6	400mm	Red beam	1000Hz	NPN	NO+NC	2m cable	Fig.8
	OSQ18-K400VP6Q	400mm	Red beam	1000Hz	PNP	NO+NC	M12 connector	Fig.9
	OSQ18-K400VN6Q	400mm	Red beam	1000Hz	NPN	NO+NC	M12 connector	Fig.10
	OSQ18-K600VP6	600mm	Red beam	1000Hz	PNP	NO+NC	2m cable	Fig.7
	OSQ18-K600VN6	600mm	Red beam	1000Hz	NPN	NO+NC	2m cable	Fig.8
	OSQ18-K600VP6Q	600mm	Red beam	1000Hz	PNP	NO+NC	M12 connector	Fig.9
	OSQ18-K600VN6Q	600mm	Red beam	1000Hz	NPN	NO+NC	M12 connector	Fig.10

Technical Data

Supply voltage	10...30VDC
Response time	1ms
Repeatability	≤3%
Load current	≤200mA
Protection circuit	Surge, polarity reversal protection, short circuit protection
Distance adjustment	Adjustable, with single-turn knob
Output indicator	yellow LED
Ambient temperature	-25...55°C
Ambient humidity	-40...70°C
Voltage resistance	1000V/DC 50/60Hz 60s
Insulation impedance	≥50MΩ (500VDC)
Shock resistance	Complex amplitude 1.5mm 10... 50Hz (2hr X, Y respectively)
Impact resistance	500m/s ² (50G) 3 times X,Y,Z respectively
Protection class	IP67
Housing material	PC+ABS

Reflector

RB50x50-1



Compact-OSQ18

Wiring diagram

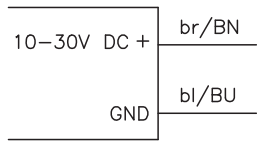


Fig.1

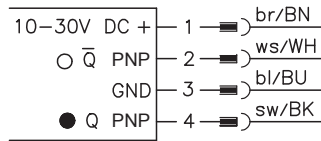


Fig.5

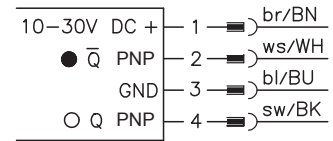


Fig.9

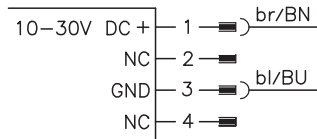


Fig.2

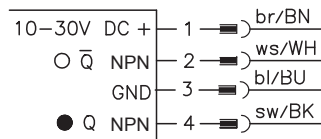


Fig.6

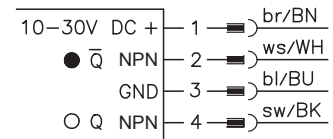


Fig.10

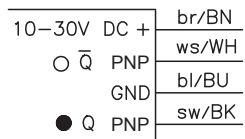


Fig.3

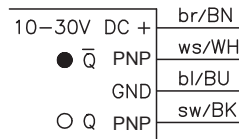


Fig.7

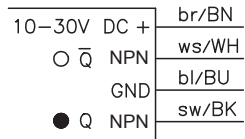


Fig.4

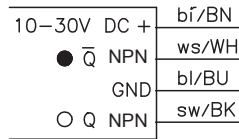
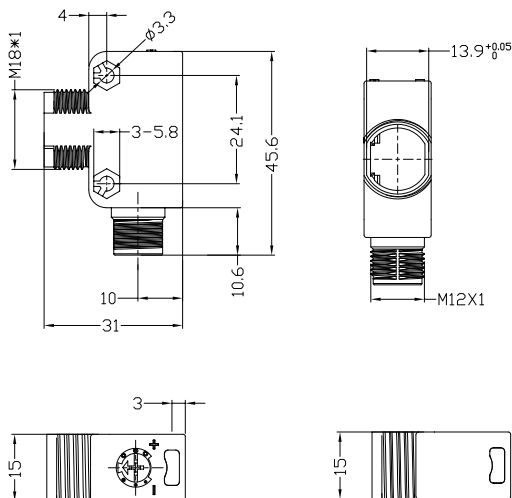


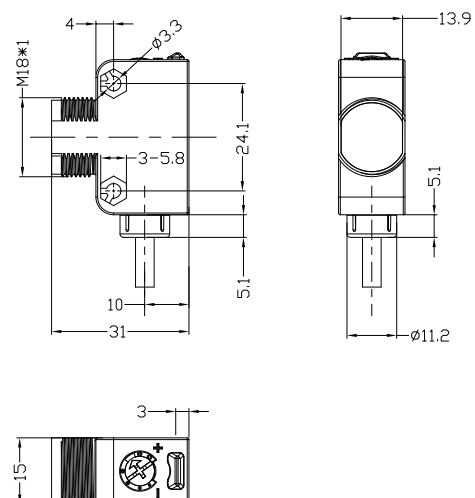
Fig.8

Dimensions

M12 Connector



2m Cable



Photoelectric Sensors