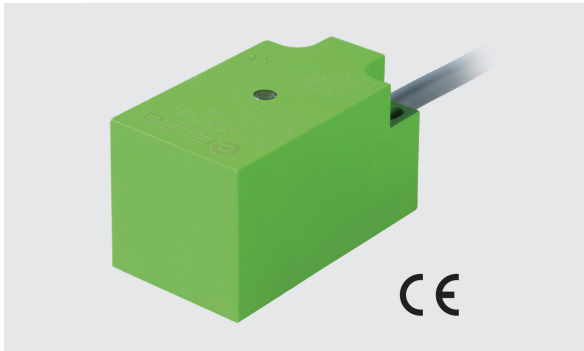


<< Inductive Sensor

Plastic Rectangular-Q30



Description:

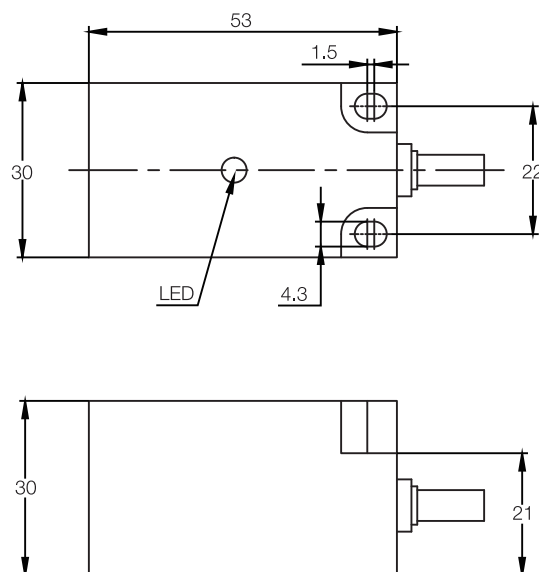
Plastic housing, miniature rectangular 30x30mm, DC 2-wire output, AC 2-wire output, AC/DC 2-wire output, IP67 protection class, LED indicator.

Technical Data:

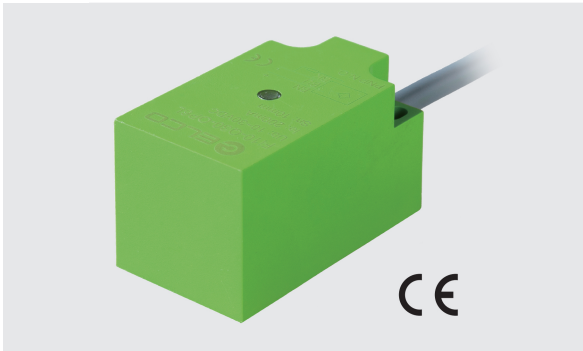
Type	Rated Operating Distance S_n	Mounting	Output	Voltage Range U_B	Rated Current	Switching Frequency	Ambient Temperature	Connection	Fig
Fi10-Q30-OD6L	10mm	Flush	NO DC	10...30VDC	≤100mA	500Hz	-25...70°C	2m cable	Fig.1
Fi10-Q30-CD6L	10mm	Flush	NC DC	10...30VDC	≤100mA	500Hz	-25...70°C	2m cable	Fig.1
Fi10-Q30-OSA3L	10mm	Flush	NO AC	20...250VAC	≤200mA	20Hz	-25...70°C	2m cable	Fig.1
Fi10-Q30-CSA3L	10mm	Flush	NC AC	20...250VAC	≤200mA	20Hz	-25...70°C	2m cable	Fig.1
Ni15-Q30-OD6L	15mm	Non-flush	NO DC	10...30VDC	≤100mA	500Hz	-25...70°C	2m cable	Fig.1
Ni15-Q30-CD6L	15mm	Non-flush	NC DC	10...30VDC	≤100mA	500Hz	-25...70°C	2m cable	Fig.1
Ni15-Q30-OSA3L	15mm	Non-flush	NO AC	20...250VAC	≤200mA	20Hz	-25...70°C	2m cable	Fig.1
Ni15-Q30-CSA3L	15mm	Non-flush	NC AC	20...250VAC	≤200mA	20Hz	-25...70°C	2m cable	Fig.1
Fi10-Q30-OA41L	10mm	Flush	NO DC/AC	20...250VAC/DC	DC≤100mA/AC≤200mA	20Hz	-25...70°C	2m cable	Fig.1
Fi10-Q30-CA41L	10mm	Flush	NC DC/AC	20...250VAC/DC	DC≤100mA/AC≤200mA	20Hz	-25...70°C	2m cable	Fig.1
Ni15-Q30-OA41L	15mm	Non-flush	NO DC/AC	20...250VAC/DC	DC≤100mA/AC≤200mA	20Hz	-25...70°C	2m cable	Fig.1
Ni15-Q30-CA41L	15mm	Non-flush	NC DC/AC	20...250VAC/DC	DC≤100mA/AC≤200mA	20Hz	-25...70°C	2m cable	Fig.1

Dimensions:

Fig.1



Plastic Rectangular-Q30



Description:

Plastic housing, miniature rectangular 30x30mm, DC 2-wire output, AC 2-wire output, AC/DC 2-wire output, IP67 protection class, LED indicator.

Inductive Sensors

Technical Data:

Type	Rated Operating Distance S_n	Mounting	Output	Voltage Range U_B	Rated Current	Switching Frequency	Ambient Temperature	Connection	Fig
Fi10-Q30-OP6L	10mm	Flush	PNP NO	10...30VDC	≤200mA	500Hz	-25...70°C	2m cable	Fig.1
Fi10-Q30-ON6L	10mm	Flush	NPN NO	10...30VDC	≤200mA	500Hz	-25...70°C	2m cable	Fig.1
Fi10-Q30-CP6L	10mm	Flush	PNP NC	10...30VDC	≤200mA	500Hz	-25...70°C	2m cable	Fig.1
Fi10-Q30-CN6L	10mm	Flush	NPN NC	10...30VDC	≤200mA	500Hz	-25...70°C	2m cable	Fig.1
Ni15-Q30-OP6L	15mm	Non-flush	PNP NO	10...30VDC	≤200mA	500Hz	-25...70°C	2m cable	Fig.1
Ni15-Q30-ON6L	15mm	Non-flush	NPN NO	10...30VDC	≤200mA	500Hz	-25...70°C	2m cable	Fig.1
Ni15-Q30-CP6L	15mm	Non-flush	PNP NC	10...30VDC	≤200mA	500Hz	-25...70°C	2m cable	Fig.1
Ni15-Q30-CN6L	15mm	Non-flush	NPN NC	10...30VDC	≤200mA	500Hz	-25...70°C	2m cable	Fig.1

Dimensions:

Fig.1

